

TRANSFORMERS

REVENGE OF THE FALLEN™

AGES 5+

94020/16770 Asst.



GRINDOR
DECEPTICON™

NOTE: Some parts are made to detach if excessive force is applied and are designed to be reattached if separation occurs. Adult supervision may be necessary for younger children.

TRANSFORMERS.COM

CHANGING TO VEHICLE

A line drawing of the Grindoor robot in its upright position, with the name "GRINDOR" printed below it.

1

A line drawing showing the right arm being detached from the robot's body. A purple arrow indicates the downward movement of the arm.

2

A line drawing showing the left arm being detached from the robot's body. A purple arrow indicates the downward movement of the arm.

3

A line drawing showing the right arm being moved forward. A purple arrow indicates the forward movement.

4

A line drawing showing the right arm being attached to the vehicle chassis. A purple arrow indicates the upward movement of the arm.

5

A line drawing showing the left arm being attached to the vehicle chassis. A purple arrow indicates the upward movement of the arm.

6

A line drawing showing the right arm being rotated. A purple arrow indicates the rotation.

7

A line drawing showing the left arm being rotated. A purple arrow indicates the rotation.

8

A line drawing showing the right arm being rotated further. A purple arrow indicates the rotation.

9

A line drawing showing the left arm being rotated further. A purple arrow indicates the rotation.

10

A line drawing showing the right arm being attached to the vehicle chassis. A purple arrow indicates the upward movement of the arm.

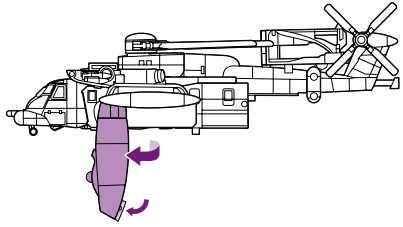
11

A line drawing showing the left arm being attached to the vehicle chassis. A purple arrow indicates the upward movement of the arm.

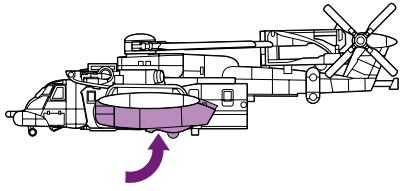
12

A line drawing showing the final vehicle form of the Grindoor, a helicopter with its arms attached to the sides. A purple arrow indicates the downward movement of the arms.

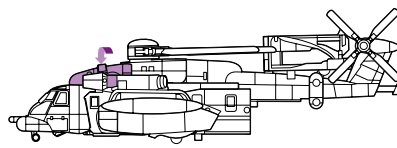
13



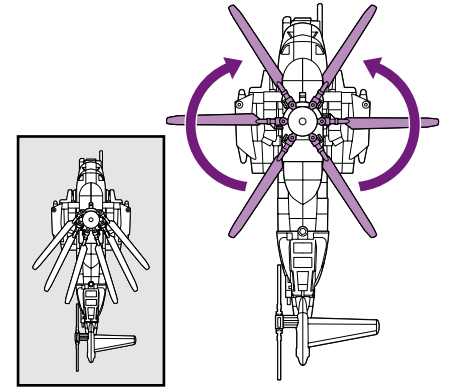
14



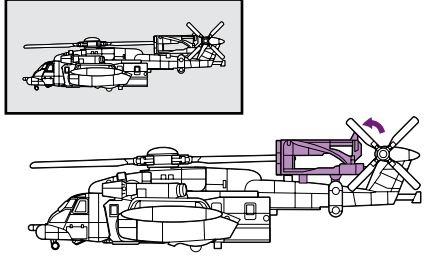
15



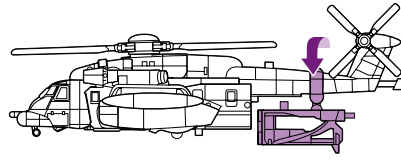
16



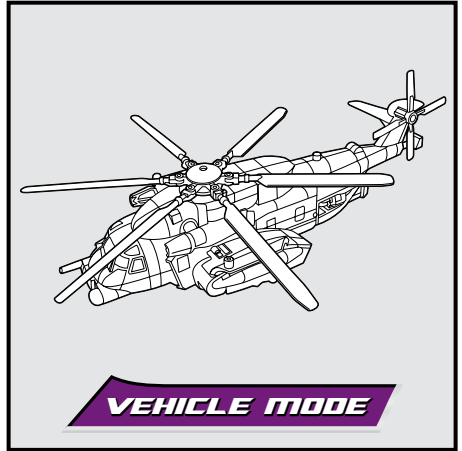
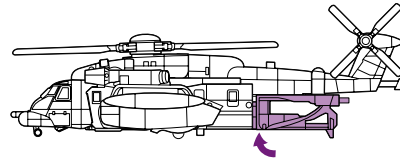
17



18

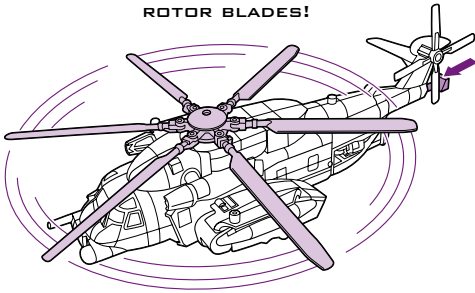


19

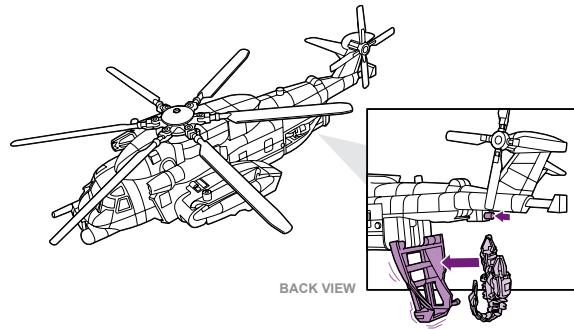


REVERSE ORDER OF INSTRUCTIONS TO CONVERT BACK INTO ROBOT.

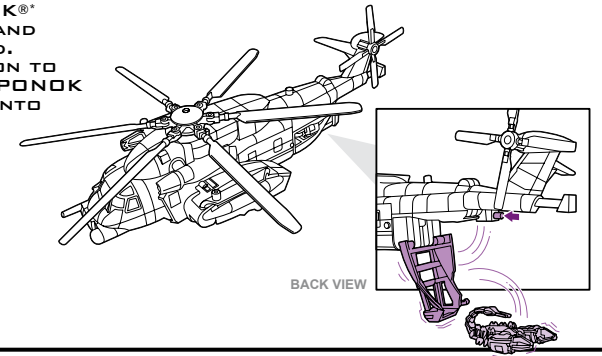
PUSH BUTTON FOR SPINNING ROTOR BLADES!



PUSH BUTTON TO OPEN CAGE. INSERT SCORPONOK® MINI-FIGURE AND SNAP CLOSED. PRESS BUTTON TO DROP SCORPONOK MINI-FIGURE INTO BATTLE!

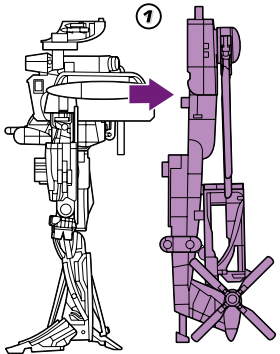


BACK VIEW

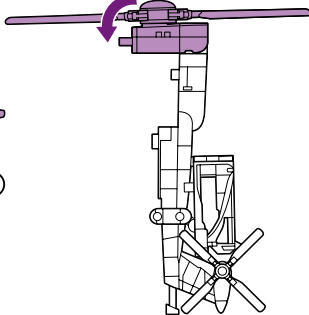


BACK VIEW

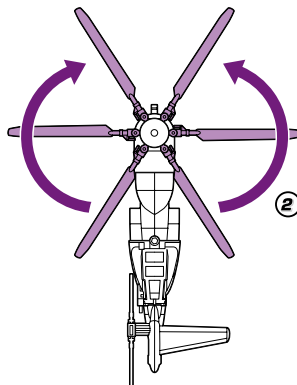
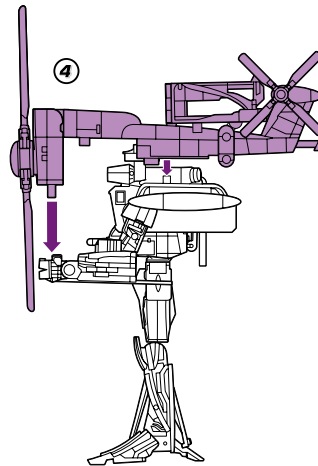
1



3

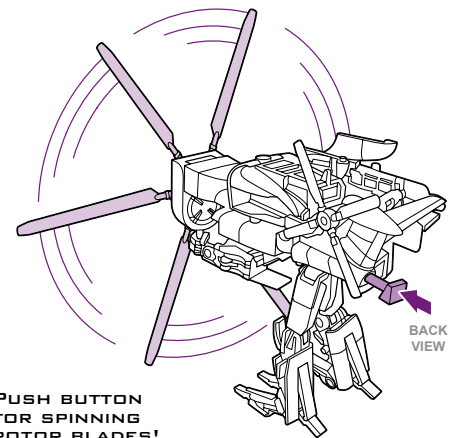


4



2

PUSH BUTTON FOR SPINNING ROTOR BLADES!



BACK VIEW



© 2009 DreamWorks LLC and Paramount Pictures Corporation
® and/or TM® & © 2009 Hasbro. All Rights Reserved.
TM & ® denote U.S. Trademarks.
Manufactured under license from Tomy Company, Ltd.

DREAMWORKS
PICTURES



Not suitable for children under 3 years because of small parts - choking hazard.

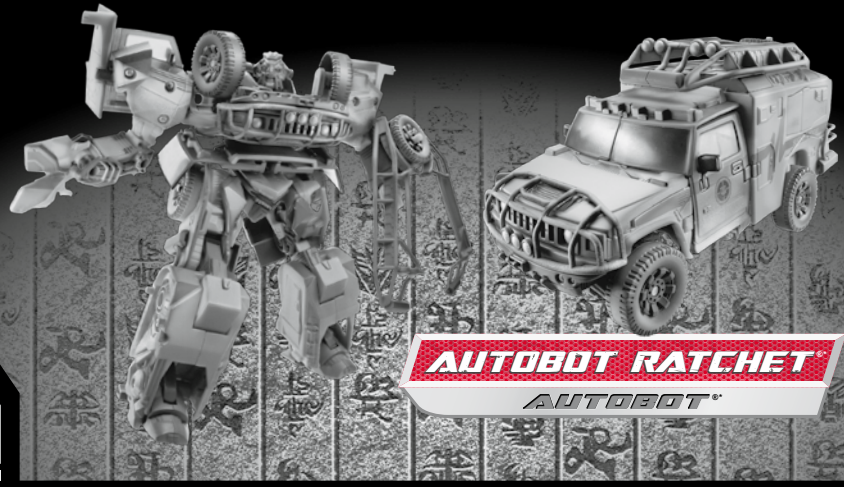
PAVE LOW™, SIKORSKY®, and the Pave Low helicopter design are trademarks of Sikorsky Aircraft Corporation.

P/N 6974430000
Some poses may require hand support.

TRANSFORMERS

REVENGE OF THE FALLEN™

AGES 5+
94020/16770 Asst.



AUTOBOT RATCHET
AUTOBOT™

TRANSFORMERS.COM

NOTE: Some parts are made to detach if excessive force is applied and are designed to be reattached if separation occurs. Adult supervision may be necessary for younger children.

CHANGING TO VEHICLE

AUTOBOT RATCHET

1

2

3

4

5

6

7

8

9

10

11

12

13

14

15

16

17

VEHICLE MODE

REVERSE ORDER OF INSTRUCTIONS TO CONVERT BACK INTO ROBOT.

Some poses may require hand support.